

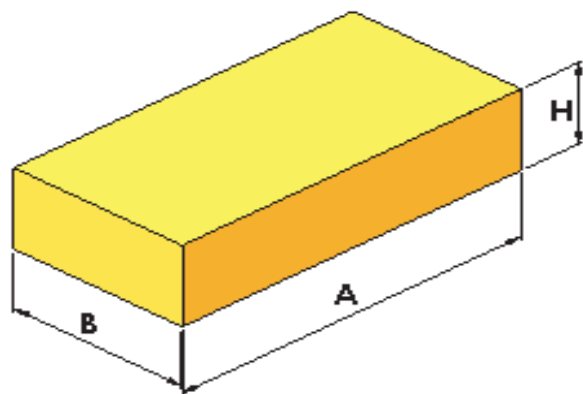
REFRACTORY PRODUCTS FOR STOVES AND FIREPLACES

CHARACTERISTICS

Material	Content of Al ₂ O ₃ +TiO ₂ %	Refractoriness °C	Cold crushing strenght MPa	Apparent porosity %
Chamotte	30 - 32	1670	15	20 - 24
	28 - 30	1650	15	20 - 24
	25 - 28	1610	> 15	20 - 22

STRAIGHT PRODUCTS

Item No.	Dimensions (mm)		
	A	B	H
594	460	200	22
4049	230	114	25
5103	175	60	30
5104	190	60	30
5106	190	70	30
5117	190	80	30
703	200	140	30
738	230	70	30
27	230	114	30
5105	240	60	30
2	250	124	30
741	275	110	30
582	300	70	30
5119	300	115	30
5109	300	135	30
704	300	200	30
5110	300	220	30
585	300	240	30
444	400	300	30
597	360	200	40
590	400	200	40
441	500	200	40

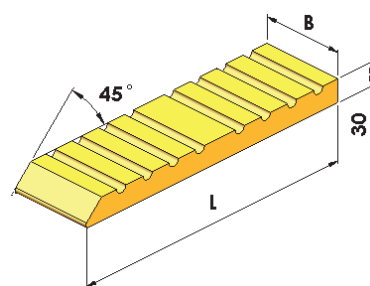


Dimensional tolerances
up to 100 mm ± 1,5 mm
over 100 mm ± 1,5 %

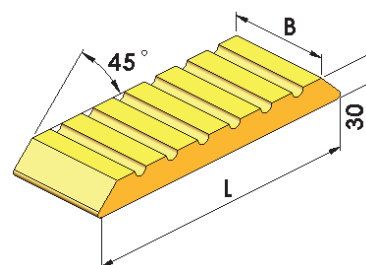
REFRACTORY PRODUCTS FOR STOVES AND FIREPLACES

SPECIALIZED PRODUCTS

Item No.	Dimensions (mm)		Dimensional tolerance
	L	B	
B69	385	108	1
B70	385	180	1



Item No.	Dimensions (mm)		Dimensional tolerance
	L	B	
018	286	138	2
011	224	180	2
024	286	180	2
052	286	200	2
056	352	230	2



Dimensional tolerances	1	2
	up to 100 mm ± 1,5 mm	up to 100 mm ± 2,5 mm
	over 100 mm ± 1,5 %	over 100 mm ± 2,5 %

TRUD JSC develops products according to clients' drawings!

