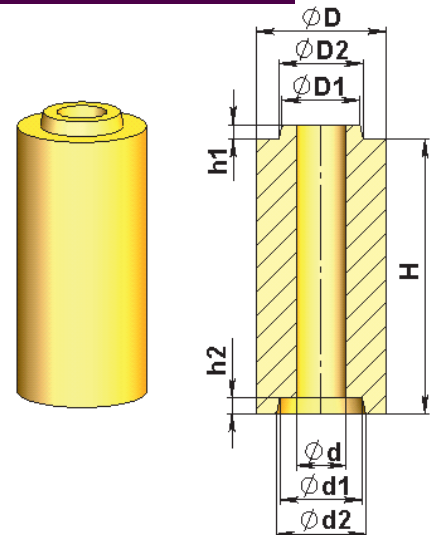
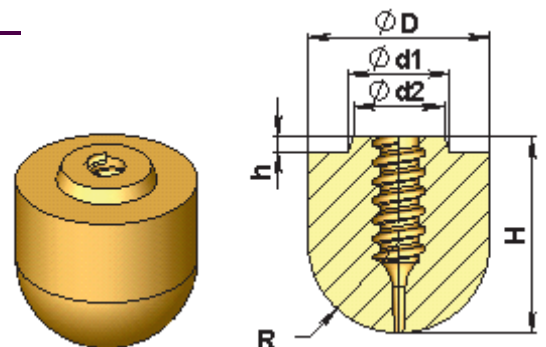


**PRODUCTS FOR THE FOUNDRY INDUSTRY**

Item No.	Dimensions (mm)								
	D	d	H	D1	D2	d1	d2	h1	h2
<b>201</b>	125	48	265	75	81	79	86	14	16
<b>202</b>	125	48	132	75	81	79	86	14	16
<b>203</b>	100	40	280	69	72	72	75	10	14
<b>204</b>	100	40	140	69	72	72	75	10	14



Item No.	Dimensions (mm)					
	D	R	H	d1	d2	h
<b>108</b>	100	48	130	67	63	10
<b>128</b>	120	60	130	76	68	10
<b>107</b>	125	60	154	81	75	14

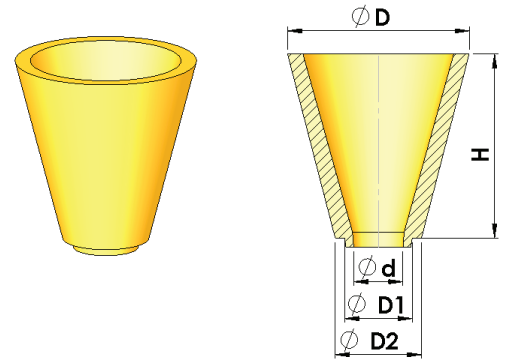


Dimensional tolerances			
Lenght	up to 50 mm ± 1 mm	over 50 mm ± 1,5 %	
Diameter	over 50 mm ± 1 mm	over 50 up to 100 mm ± 2 mm	over 100 mm ± 2 %

# REFRACTORY PRODUCTS FOR THE INDUSTRY

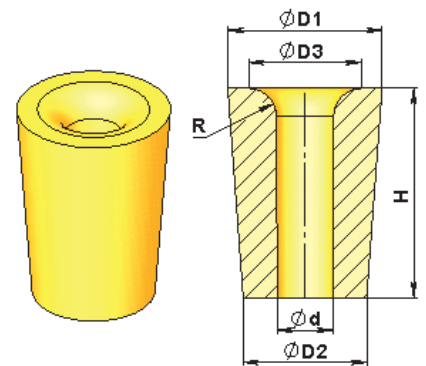
## PRODUCTS FOR THE FOUNDRY INDUSTRY

Item No.	Dimensions (mm)				
	d	H	D	D1	D2
<b>101</b>	80	300	295	110	140
<b>117</b>	100	300	320	130	160

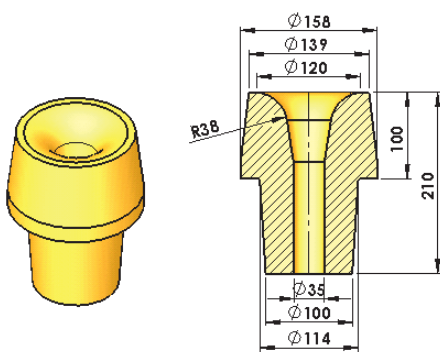


Dimensional tolerances
up to 100 mm ± 2,5 mm
over 100 mm ± 2,5 %

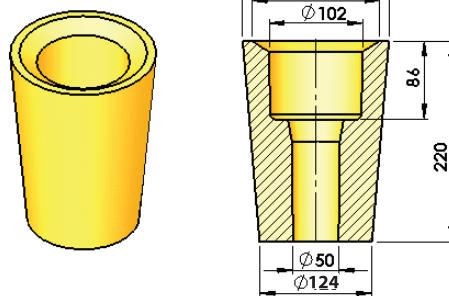
Item No.	Dimensions (mm)					
	H	d	D1	D2	D3	R
<b>138</b>	140	30	140	112	100	35
<b>146</b>	190	35	140	112	100	45
<b>149</b>	190	50	140	112	100	25



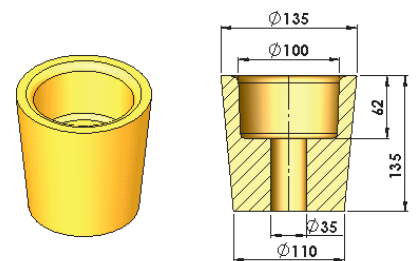
Item No. 136



Item No. 143

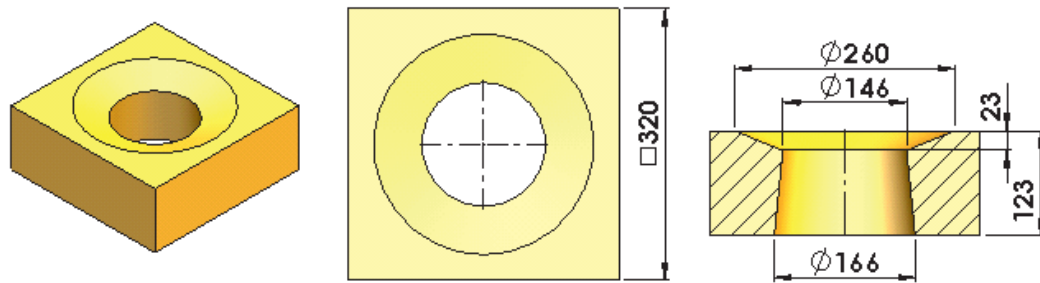


Item No. 122

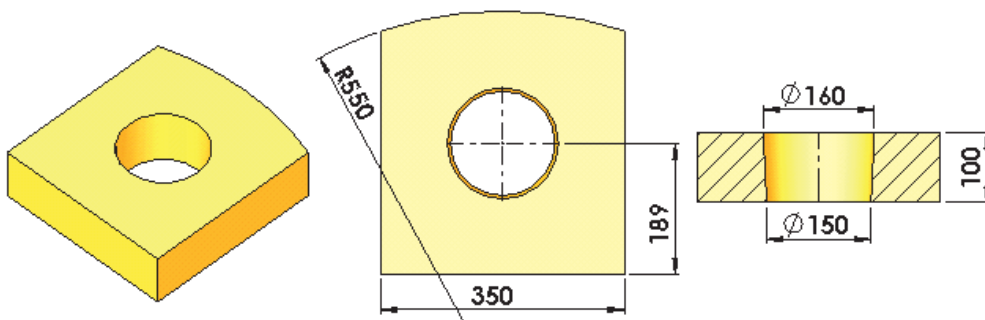


Dimensional tolerances			
Lenght	up to 50 mm ± 1 mm	over 50 mm ± 1,5 %	
Diameter	over 50 mm ± 1 mm	over 50 up to 100 mm ± 2 mm	over 100 mm ± 2 %

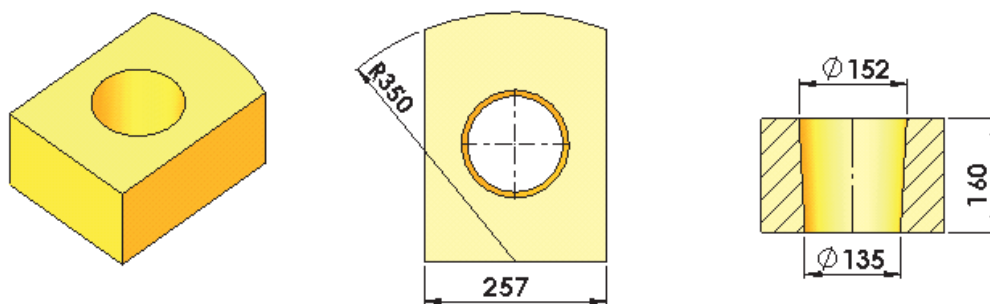
**PRODUCTS FOR THE FOUNDRY INDUSTRY**



Item No. 676



Item No. 115



Item No. 139

**TRUD JSC offers Gating Systems  $\varnothing$  60,  $\varnothing$  80 and  $\varnothing$  100**



Dimensional tolerances
up to 100 mm $\pm$ 2,5 mm
over 100 mm $\pm$ 2,5 %