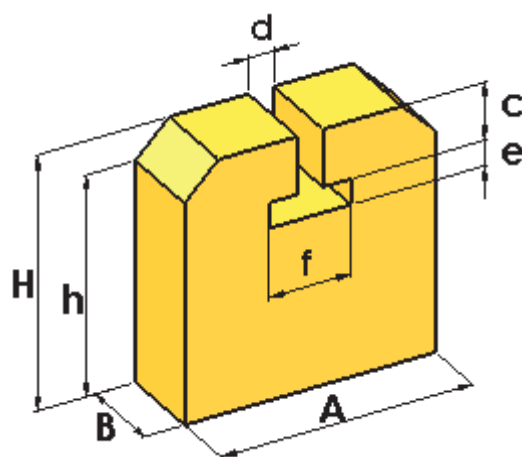


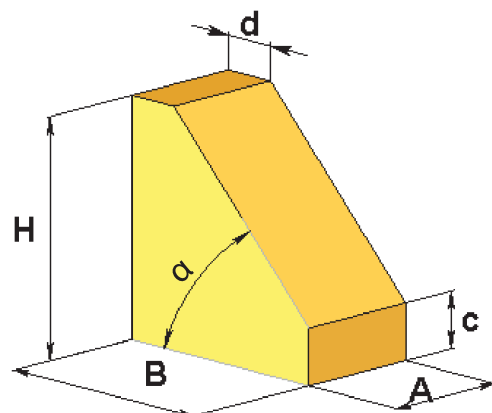
REFRACTORY PRODUCTS FOR THE INDUSTRY

SHAPED PRODUCTS

Item No.	Dimensions (mm)							
	A	B	H	h	c	d	e	f
979	296	75	300	260	68	30	30	96
2622	258	65	188	138	50	25	25	55
3244	240	100	250	220	55	30	30	80



Item No.	Dimensions (mm)					Angle, °
	A	B	H	c	d	α
2559	113	230	240	40	115	60
930	113	230	275	75	115	60
2403	150	230	275	15	80	60
832	150	275	275	65	65	45
2420	230	113	135	37	56	60



Dimensional tolerances
up to 100 mm $\pm 2,5$ mm
over 100 mm $\pm 2,5$ %

TRUD JSC develops products according to clients' drawings!